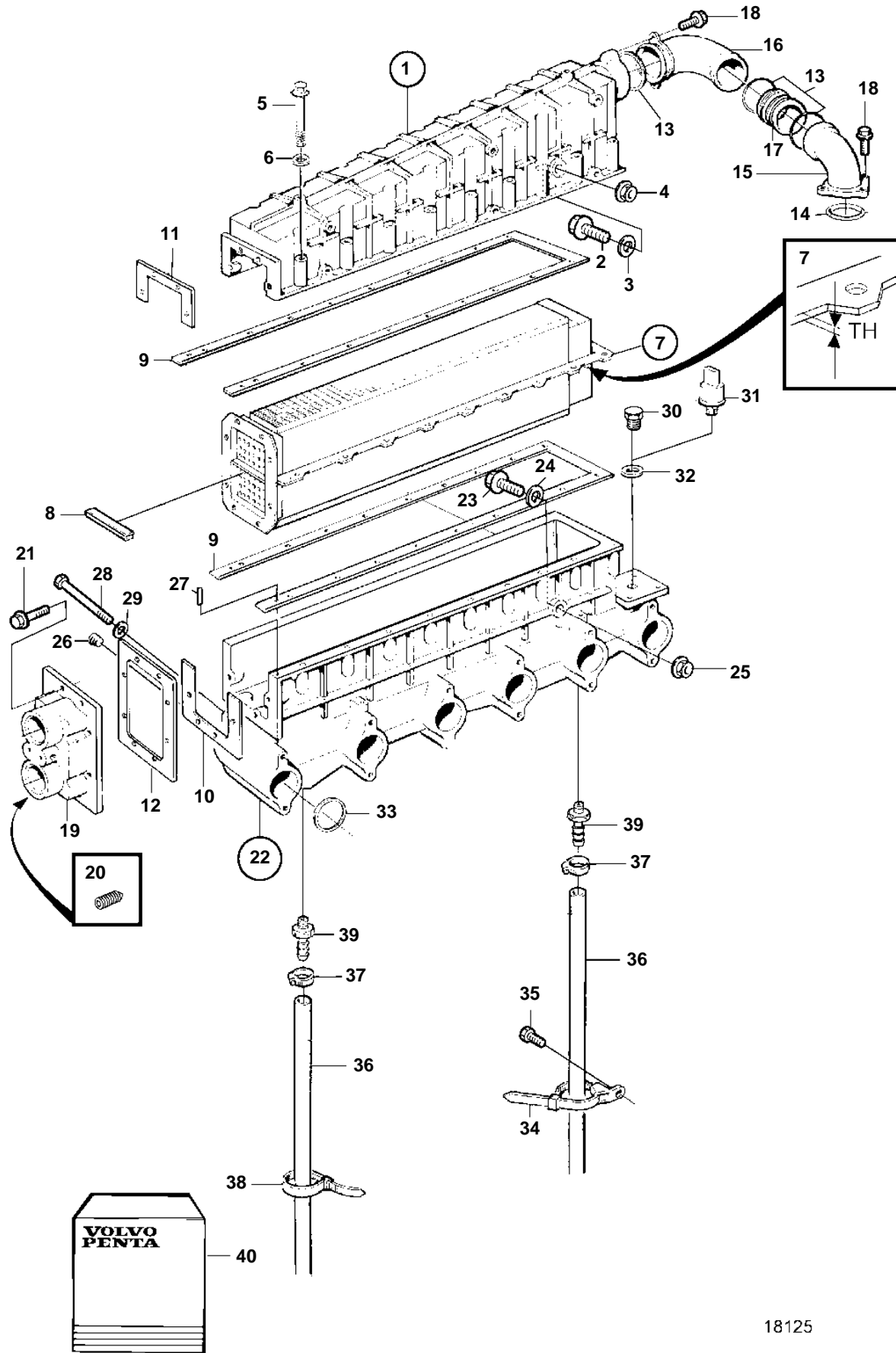


TAMD162C-C



18125

**TAMD162C-C**

REF	PART NO.	QTY	DESCRIPTION	SEE SEC.	NOTES
1	3826928	1	Inlet pipe		SPARE PART DESIGN
2	3825668	2	• Screw		Support screws will not be used.
3	955899	2	• Washer		
4	971097	2	Nut		Only when the support screw will be used.. Support screws will not be used.
5	973080	18	Screw		(955308)
6	941907	18	Spring washer		
7		1	• Intercooler	4720	TH=4,0mm
8	865383	1	• • Sealing strip		
9	3825913	2	• Gasket		TH = 0,6mm
10	863117	1	• Gasket		
11	863118	1	• Gasket		
12	3828317	1	• Gasket		
13	3825197	3	• Sealing ring		
14	863016	1	• Sealing ring		
15	863017	1	Connection pipe, turbo		
16	863018	1	Connection pipe		
17	866740	1	Intermediate pipe		
18	946173	6	Flange screw		
19	3828249	1	Cover		
20	946847	1	Screw, ground		
21	947760	8	Flange screw		
22	3826929	1	Inlet pipe		SPARE PART DESIGN
23	3825668	2	• Screw		Support screws will not be used.
24	955899	2	• Washer		
25	971097	2	Nut		Only when the support screw will be used.. Support screws will not be used.
26	479977	2	Plug		
27	950545	2	Pin		
28	955313	11	Screw		L=160mm
	968303	1	Screw		L=190mm
29	941907	12	Spring washer		
30	960632	1	Plug		
31		1	Pressure sensorturbo	2682	
32	947624	1	Gasket		
33	1543172	6	Sealing ring		
34	1578046	1	Retainer		
35	969422	1	Screw, cylinder block		
36	942700	X	Hose		L=850mmx2
37	961662	2	Clamp		
38	948211	3	Strip clamp		
39	180003	2	Nipple		
40	876805	1	Gasket kit		For mounting of the inlet manifold. Bring also 4 pcs sealing rings 3825197 and 1 pc sealing ring 863016.
	876846	1	Gasket kit		TH=4,0mm. For mounting of the charge air cooler insert.